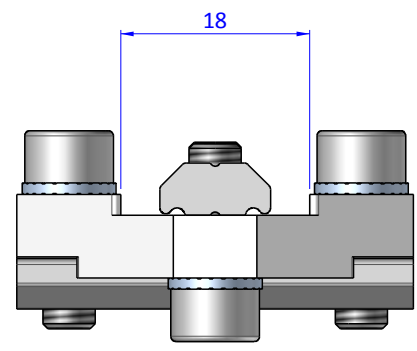
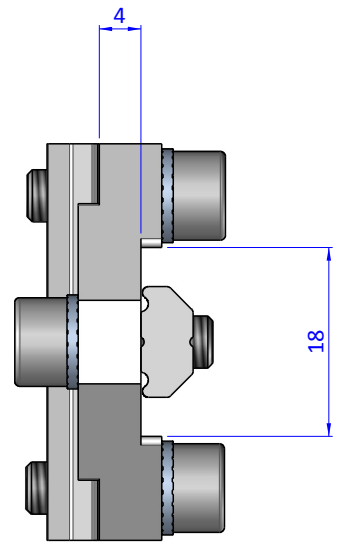
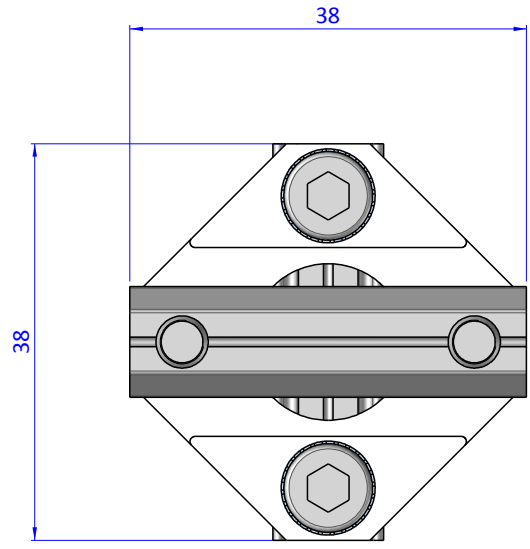
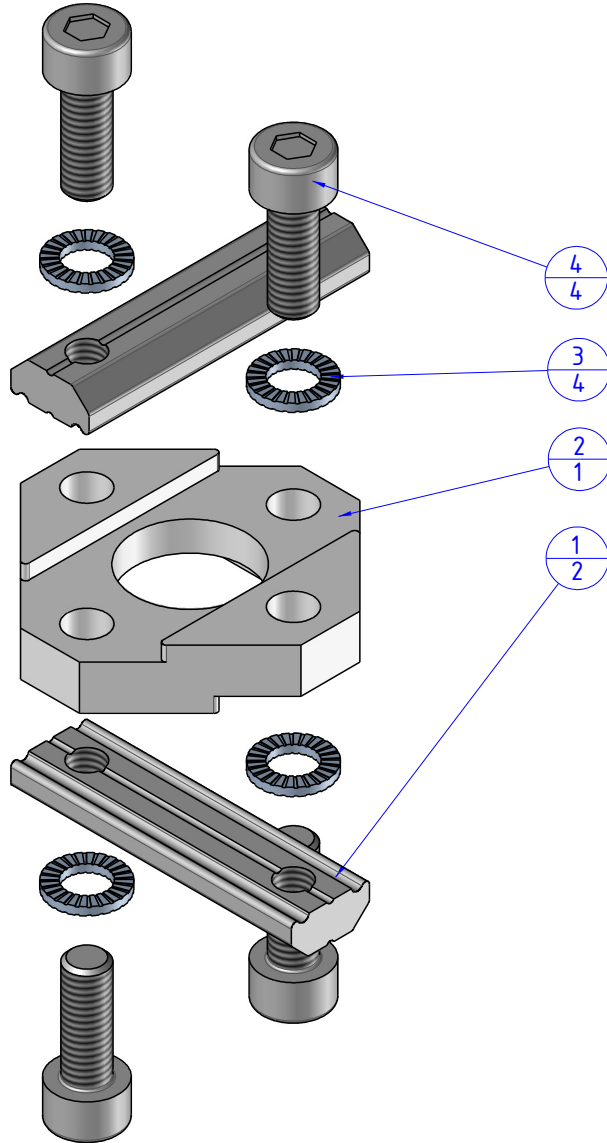


THE PROPERTY OF THE DRAWING IS ESTABLISHED BY LAW. IT IS FORBIDDEN TO PRODUCE OR SHOW IT TO THIRD PARTY WITHOUT A WRITTEN AGREEMENT.

Object Number	Name	QTY
1	CA.GWP.5.28	2
2	KPLL.1818	1
3	R.5.SCH	4
4	V.TCE5x14	4



Format A3
UNI 936-76

		DESIGNED FROM	REVIEW
		FP SERVICES	A
		DATE	WEIGHT
		30/04/2016	0,055kg
GENERAL TOLERANCE UNI - ISO 2768 CLASSE f		DESCRIPTION CA.KPLL.1818	
		CODE CA.KPLL.1818	